

VT6CCZ \* - B22 - B08 - X R 00 - A 1 - 00 \*

### Series - SAE B 2 bolts

Mounting flange J744 c

One letter can be added to specify special parts in series

### Cam ring for "P1" & "P2"

Volumetric displacement cm<sup>3</sup>/rev (in<sup>3</sup>/rev)

*B03/R03 = 10.8 (0.66)	B15/R15 = 50.5 (3.08)
B05/R05 = 17.2 (1.05)	B17/R17 = 58.3 (3.56)
B06/R06 = 21.3 (1.30)	B20/R20 = 63.8 (3.89)
B08/R08 = 26.4 (1.61)	B22/R22 = 70.3 (4.29)
B10/R10 = 34.1 (2.08)	B25/R25 = 79.3 (4.84)
B12/R12 = 37.1 (2.26)	B28/R28 = 88.8 (5.42)
B14/R14 = 46.0 (2.81)	B31/R31 = 100.0 (6.10)

\*'B' - for Mobile

'R' - for Mobile - spring assisted

### Type of shaft

- X - keyed
- W - keyed
- V - keyed
- S - Splined (DIN 5462)
- Z - Splined

### Direction of rotation (view on shaft end)

- R - clockwise
- L - counter-clockwise

### Modification

### Mounting W/connection variables

code	P1=1" - S=3"		P1=1" - S=2 1/2" <sup>(2)</sup>	
	Unc	Metric	1"	3/4" <sup>(1)</sup>
P2	00	01	10	11
	0M	W0	1M	W1

- 1) for 46 ml/rev max.
  - 2) for 126 ml/rev max.
- The large cartridge must be always mounted in the front.

### Seal class

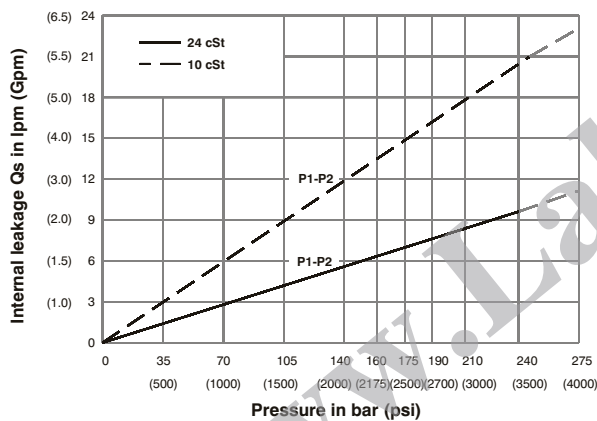
- 1 - S1 (for mineral oil)
- 4 - S4 (for fire resistant fluids)
- 5 - S5 (for mineral oil and fire resistant fluids)

### Design letter

### Porting combination (see page BM-1-5)

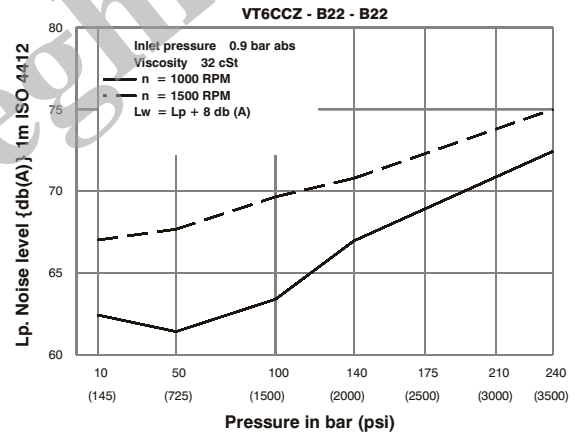
- 00 - standard

### INTERNAL LEAKAGE (TYPICAL)



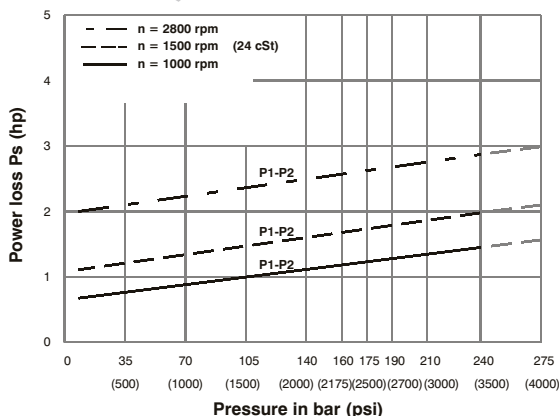
Do not operate pump more than 5 seconds at any speed or viscosity if internal leakage is more than 50% of theoretical flow. Total leakage is the sum of each section loss at its operating conditions.

### NOISE LEVEL (TYPICAL)



Double pump noise level is given with each section discharging at the pressure noted on the curve.

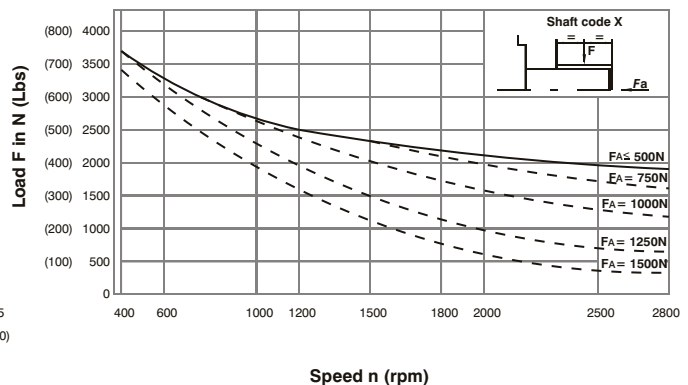
### HYDROMECHANICAL POWER LOSS (TYPICAL)



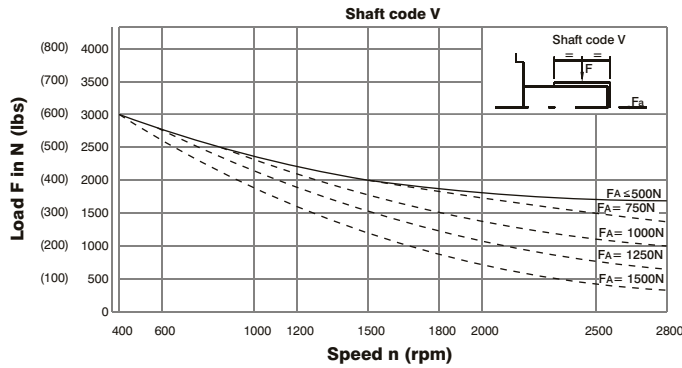
Total hydrodynamic power loss is the sum of each section at its operating conditions.

### PERMISSIBLE RADIAL LOAD

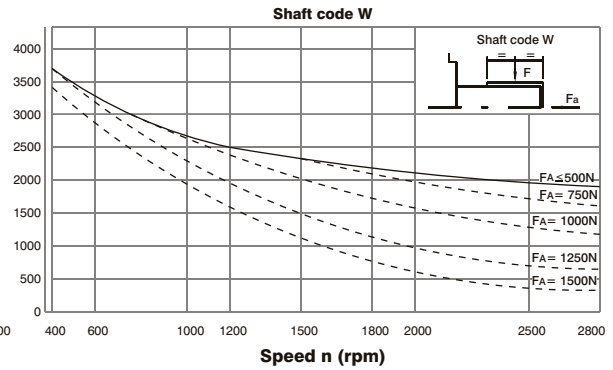
#### Shaft code X



## PERMISSIBLE RADIAL LOAD



## PERMISSIBLE RADIAL LOAD



These curves permit to simultaneously check the maximum permissible radial and axial load on the shaft involved. Those load value are determined for 10000 hours bearing lifetime at operating under  $F_a$  and  $F$  given. To get information for a different lifetime the radial load corrected is.

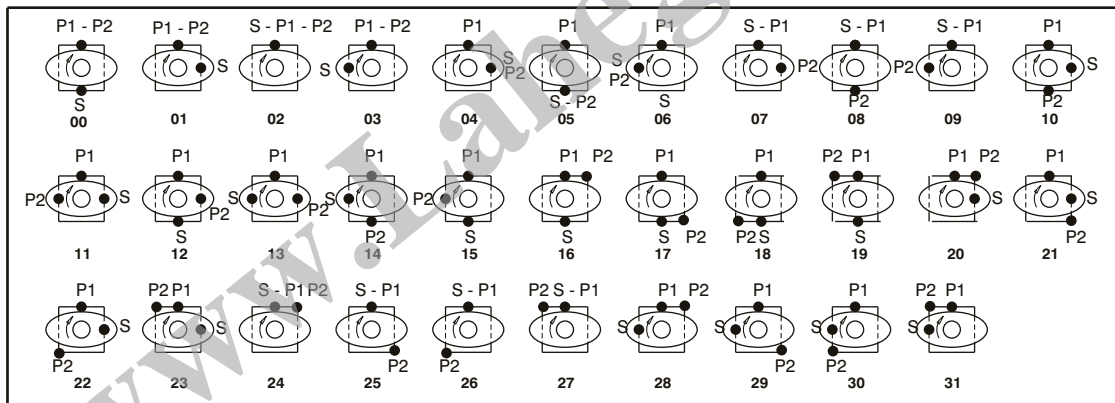
If  $F_a$  is smaller than minimum axial force on the curves then

$$\text{Correct } F = \frac{F \text{ curve}}{\left(\frac{LH \text{ Required}}{10000}\right)^{\frac{1}{3.33}}} \quad LH = \text{Lifetime in hours}$$

If  $F_a$  is higher than minimum axial force then  $F$  radial load is :

$$\text{Correct } F = \frac{F \text{ curve}}{\left(\frac{LH \text{ Required}}{10000}\right)^{\frac{1}{3}}}$$

## Porting Diagrams

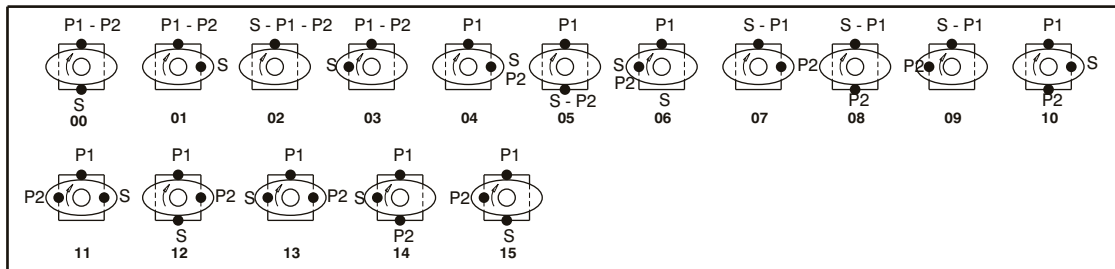


VT6CC/VT6CCM -VT6CCSH-VT6DC/VT6DCM -VT6EC/VT6ECM-VT6CP-VT6GCC

VT7BB/VT7BBS-VT7QCC-VT7DB/VT7DBS-VT7QDC

VT7EB/VT7EBS-VT7QEC

VT67CB-VT67DB-VT67EB-VT67BB-VT67CB-VT67EC



VT6DDS-VT6ED/VT6EDM-VT6EES

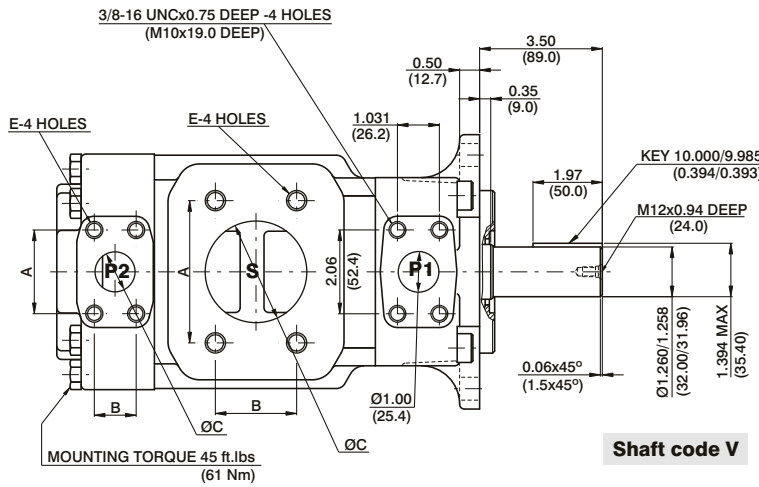
VT7DD/VT7DDS-VT7ED/VT7EDS

VT7EE/VT7EES

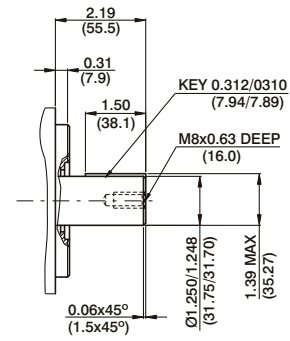
# HIGH PERFORMANCE VANE PUMP VT6CCZ



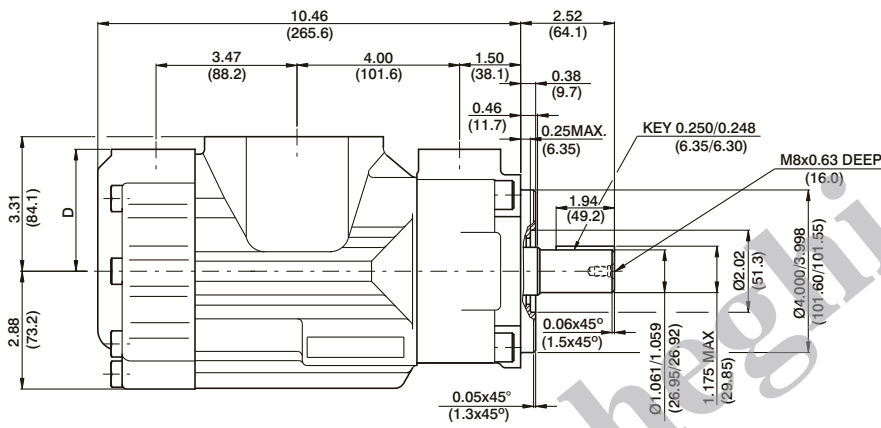
DP



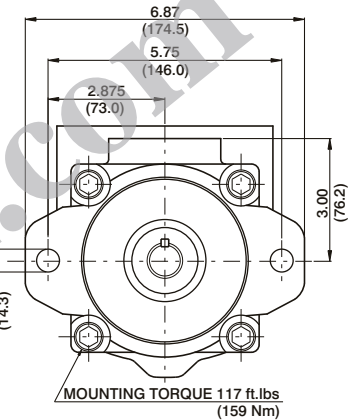
Shaft code V



Shaft code W

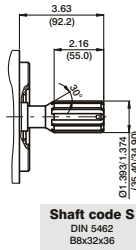


Shaft code X

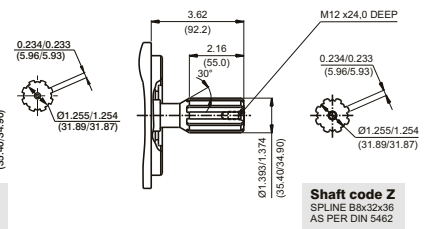


Shaft torque limits in <sup>3</sup> /rev x psi (ml/rev x bar)	
Shaft	Vp x p max. (P1+P2)
X	22500 (25400)
V	28937 (32670)
W	28937 (32670)

PORT	A	B	C	D	E
S	4.19 (106.4)	2.44 (61.9)	3.00 (76.2)		5/8-11UNC x 1.12 DEEP (M16 x 28.4 DEEP)
S	3.50 (88.9)	2.00 (50.8)	2.50 (63.5)		1/2-13UNC x 0.94 DEEP (M12 x 24.0 DEEP)
P2	1.874 (47.6)	0.874 (22.2)	0.75 (19.0)	3.00 (76.2)	3/8-16UNC x 0.75 DEEP (M10 x 19.0 DEEP)
P2	2.06 (52.4)	1.03 (26.2)	1.00 (25.4)	2.94 (74.7)	



Shaft code S  
DIN 5462  
B8x32x36



Shaft code Z  
SPLINE B8x32x36  
AS PER DIN 5462

## OPERATING CHARACTERISTICS - TYPICAL (24 cST) (Input power p (KW) for one cartridge only)

Pressure port	Series	Volumetric Displacement Vp		Flow q & n = 1500 rpm						Input power p & n = 1500 rpm					
		p = 0 bar (0 psi)		p = 140 bar (2000 psi)		p = 240 bar (3500 psi)		p = 7 bar (100 psi)		p = 140 bar (2000 psi)		p = 240 bar (3500 psi)			
		in <sup>3</sup> /rev	cm <sup>3</sup> /rev	gpm	lpm	gpm	lpm	gpm	lpm	hp	kw	hp	kw	hp	kw
P1 & P2	B03	0.66	10.8	4.29	16.2	2.83	10.7	--	--	1.74	1.3	7.11	5.3	--	--
	B05	1.05	17.2	6.83	25.8	5.37	20.3	4.17	15.8	1.88	1.4	10.06	7.5	16.36	12.2
	B06	1.30	21.3	8.44	31.9	7.01	26.5	5.82	22.0	2.01	1.5	11.94	8.9	19.71	14.7
	B08	1.61	26.4	10.48	39.6	9.02	34.1	7.83	29.6	2.15	1.6	14.35	10.7	22.93	17.7
	B10	2.08	34.1	13.52	51.1	12.08	45.7	10.89	41.2	2.28	1.7	18.64	13.4	29.90	22.3
	B12	2.26	37.1	14.71	55.6	13.28	50.2	12.08	45.7	2.28	1.7	19.31	14.4	32.32	24.1
	B14	2.81	46.0	18.25	69.0	16.79	63.5	15.60	59.0	2.55	1.9	23.60	17.6	39.56	29.5
	B15	3.08	50.5	20.00	75.6	18.62	70.4	17.46	66.0	2.68	2.0	25.61	19.1	42.91	32.0
	B17	3.56	58.3	23.12	87.4	21.69	82.0	20.50	77.5	2.82	2.1	29.37	21.9	49.48	36.9
	B20	3.89	63.8	25.32	95.7	23.86	90.2	22.67	85.7	2.95	2.2	31.92	23.8	53.91	40.2
	B22	4.29	70.3	27.88	105.4	26.45	100.0	25.26	95.5	3.08	2.3	35.00	26.1	59.14	44.1
	B25 <sup>1)</sup>	4.84	79.3	31.46	118.9	30.02	113.5	28.83	109.0	3.35	2.5	39.16	29.2	66.38	49.5
	B28 <sup>1,2)</sup>	5.42	88.8	35.24	133.2	33.78	127.7	32.93	124.5	3.75	2.8	43.85	32.7	65.04	48.5
B31 <sup>1,2)</sup>	6.10	100.0	39.68	150.0	38.22	144.5	37.38	141.3	3.75	2.8	48.95	36.5	72.95	54.4	

1) B25-B28-B31 = 2500 R.P.M. max.

2) B28-B31 = 210 bar (3000 psi) max. int.

-- Not to use because internal leakage greater than 50% theoretical flow.